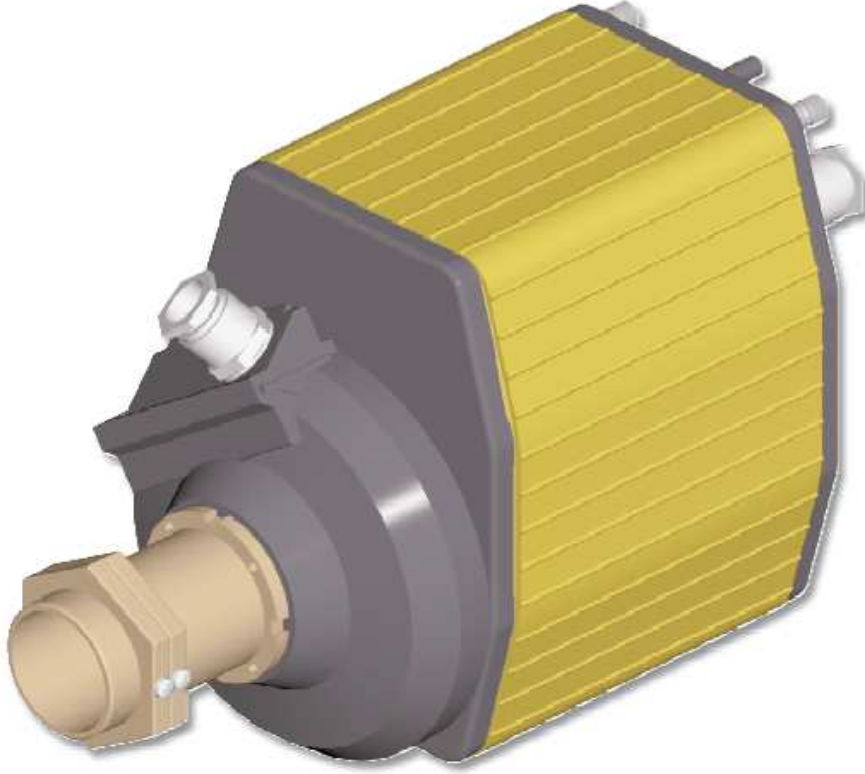




**İMAJ TEKNİK**  
ELEKTRİK ELEKTRONİK MALZ. SAN. VE TİC. LTD. ŞTİ



# 50A



■ The 50A slip ring collectors are sets of rings coupled with brushes designed to allow current to pass from a fixed to a rotating part.

The 50A series is used to supply crane motors, cable winders etc..

These units are suitable only for transmitting currents with 50/60Hz supply frequency.

■ The 50A slip ring collectors have 50A line rings and they are supplied either with or without protection.

The shock-resistant thermoplastic protection is used to prevent accidental contacts with live parts; the protection has small downward holes to allow air circulation and prevent moisture. The lower support plate is also provided with three holes to drain the moisture which may form inside the unit.

50A SLIP RING COLLECTOR



# 50A SLIP RING COLLECTOR

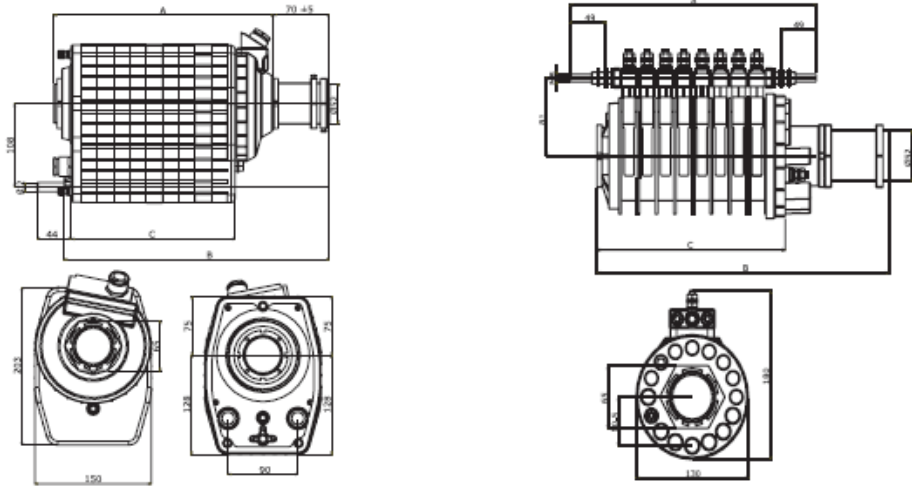
## TECHNICAL SPECIFICATIONS

Conformity to Community Directives	2006/95/CE	
Conformity to Standards	EN 60204-1 EN 60309-1 EN 60529	
Ambient temperature	Storage	-40°C/+70°C
	Operational	-25°C/+70°C
Protection degree	IP 22 (collector with protection)	
	IP 00 (collector without protection)	
Insulation category	Class I	
Cable entry	Cable clamps	
Markings	CE	

## ELECTRICAL SPECIFICATIONS

Rated operational current	50 A
Rated operational voltage	400 V
Rated insulation voltage	660 V
Mechanical life	Max. 3 turns/min
Connections	Screw-type terminals
Markings	CE

## OVERALL DIMENSIONS



## STANDARD CODES AND DIMENSIONS

### Collectors with protection

No. 50A rings	Code	Dimensions (mm)		
		A	B	C
3	PF2203P001	174	249	106
4	PF2204P001	195	270	127
5	PF2205P001	216	291	148
6	PF2206P001	237	312	169
7	PF2207P001	258	333	190
8	PF2208P001	279	354	211
9	PF2209P003	300	375	232
10	PF2210P001	321	396	253
11	PF2211P002	342	417	274
12	PF2212P001	363	393	326
13	PF2213P001	384	459	316
14	PF2214P001	405	480	337
15	PF2215P001	426	501	358
16	PF2216P001	447	522	379

Max. No. of rings: 16

### Collectors without protection

No. 50A rings	Code	Dimensions (mm)		
		A	B	C
3	PF2203N001	200	220	104
4	PF2204N001	221	235	127
5	PF2205N001	242	235	148
6	PF2206N001	263	275	169
7	PF2207N001	284	290	190
8	PF2208N001	305	340	211
9	PF2209N001	326	340	232
10	PF2210N001	347	355	253
11	PF2211N001	368	385	274
12	PF2212N002	389	405	295
13	PF2213N001	410	420	316
14	PF2214N002	431	450	337
15	PF2215N001	452	465	358
16	PF2216N002	473	485	379

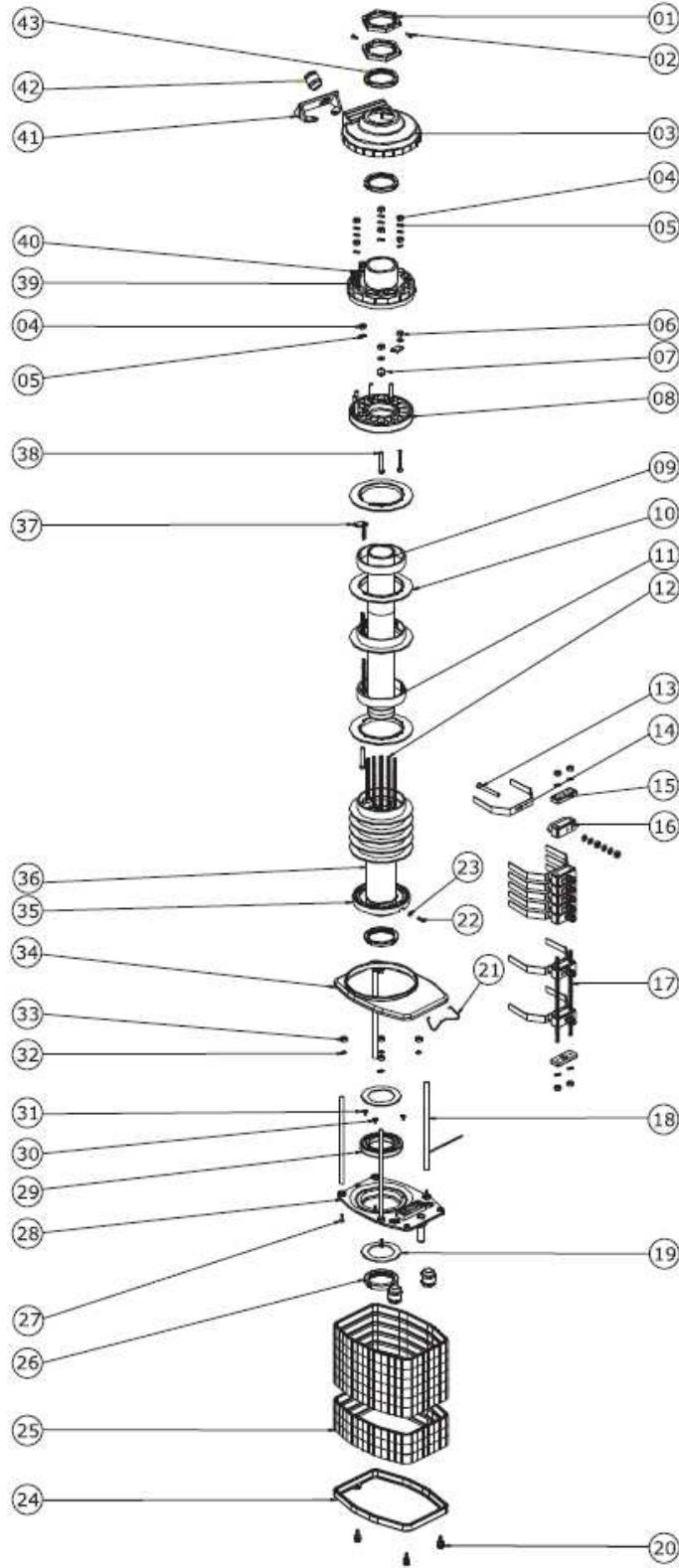
Max. No. of rings: 16



TER TECNO ELETTRICA RAVASI S.R.L. - VIA GARIBOLDI 29/31 - 23885 CALDO (LC) - ITALY  
 TEL. +39 039 9911011 - FAX +39 039 9910445 - E-MAIL: info@terinternational.net - www.terinternational.net  
 REGISTERED OFFICE - GOODS RECEPTION: VIA SAN VIGILIO 2 - 23887 OLGiate MOLGORA (LC) - ITALY

PRCA0EAG01-2

DETAILED DRAWING



50A SLIP RING COLLECTOR



# 50A SLIP RING COLLECTOR

## COMPONENTS

REFERENCE	CODE	DESCRIPTION
01	PRFU6052PE	Hexagonal nut
02	PRVI0176PE	Screw M4x10
03	PRSL5680PI	Cover
04	PRDA0041PE	Nut MA5x4
05	PRRN0080PE	Washer
06	PRDA0041PE	Nut
07	PRTR6015PE	Plate
08	PRTI1026PE	Cap base
09	PRTU0055PE	Tube
10	PRSL8545PI	Spacer
11	PRFU6021PE	Brass ring Ø 92mm
12	Ask for codes	Rod
13	PRVI6046PE	Screw M6x50
14	PRTR4018PE	Brush
15	PRBA2618XX	8 piece brush
16	PRTI8001PE	Brush holder
17	Ask for codes	Brush holder rod
18	Ask for codes	Protection rod
19	PRSL8542PI	Bearing covering ring
20	PRT06167PE	Knob
21	PRMO9642PE	Brush holder spring-hook
22	PRVV100700	Screw M4x14
23	PRDA0023PE	Nut MA4x3,2
24	PRSL5695PI	Sector holder lower plate
25	PRSL5120PI	Sector
26	PRFU6032PE	Nut - pitch 1
27	PRVI6031PE	Screw M4x12
28	PRSL5690PI	Bearing holder lower plate
29	PRCB0011PE	Ball bearing
30	PRVI0033P6E	Screw 3x7,5
31	PRRN0013PE	Washer
32	PRRN1071PE	Elastic ring
33	PRSL8555PI	Protection guide pin
34	PRSL5685PI	Upper plate
35	PRSL9005PI	Plaque
36	Ask for codes	Internal protection tube
37	PRTR6015PE	Plate
38	PRVI6041PE	Screw M6x40
39	PRRN1085PE	Washer
40	PRSL5675PI	Cap
41	PRSL9066PI	Cable clamp support
42	PRPS1004PE	Brass cable clamp PG16
43	PRFU6042PE	Nut - pitch 1,5



REQUEST FORM FOR NON STANDARD SLIP RING COLLECTORS

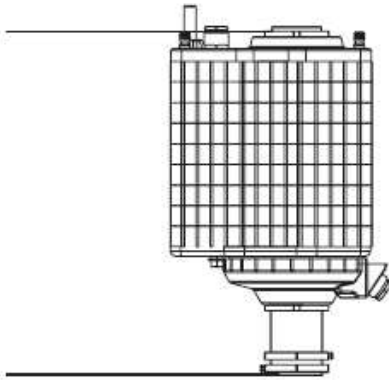
RINGS

No. of 50A rings \_\_\_\_\_

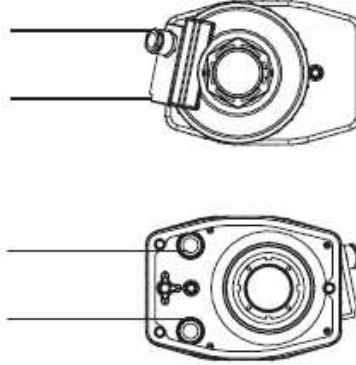
PROTECTION

- With protection  
 Without protection

TUBE LENGTH



CABLE CLAMPS



INSTRUCTIONS

- Write the number of **50A rings** required.
- Mark the box corresponding to the collector with or without **protection**.
- Write the input and output length of the **tube** required, when different from the length showed in the Overall Dimensions.
- Write the number and type of **cable clamps** required on the upper cover and on the lower plate.

REMARKS

\_\_\_\_\_  
\_\_\_\_\_  
\_\_\_\_\_  
\_\_\_\_\_  
\_\_\_\_\_



Emekyemez Mah.Yüksek Minare Sk. No:8 / 17  
80020 Karaköy / İstanbul  
Tel:212/2359535  
Fax:212/2359537

\_\_\_\_\_  
\_\_\_\_\_  
\_\_\_\_\_  
\_\_\_\_\_

50A SLIP RING COLLECTOR

İMA